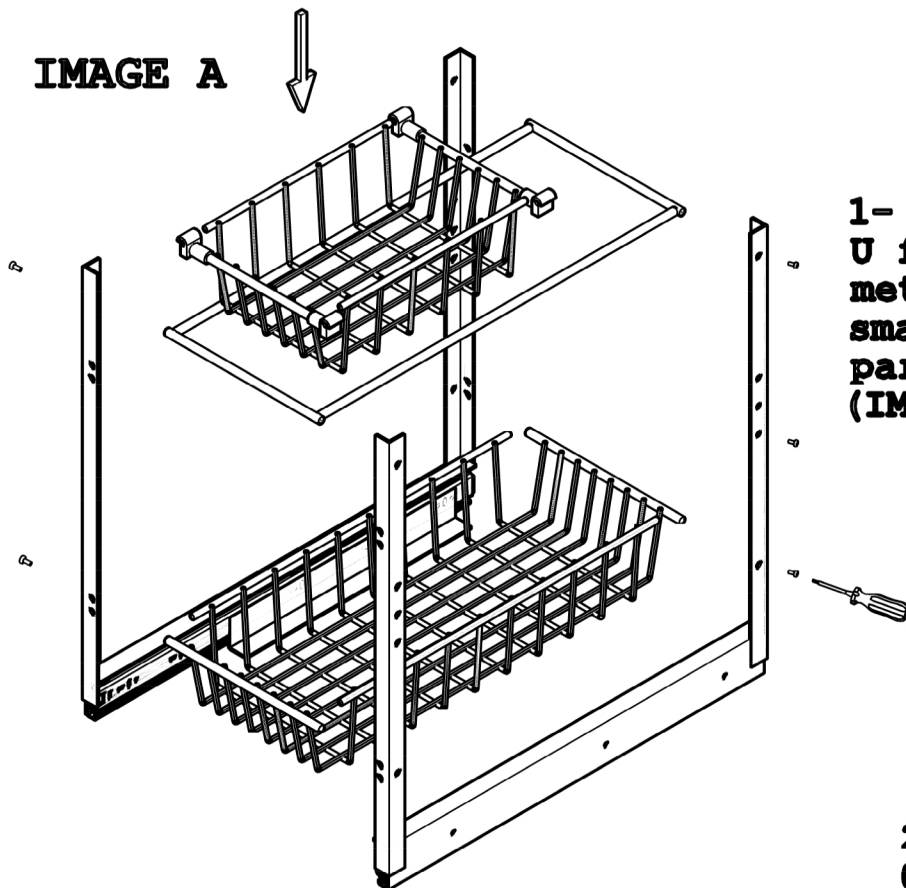
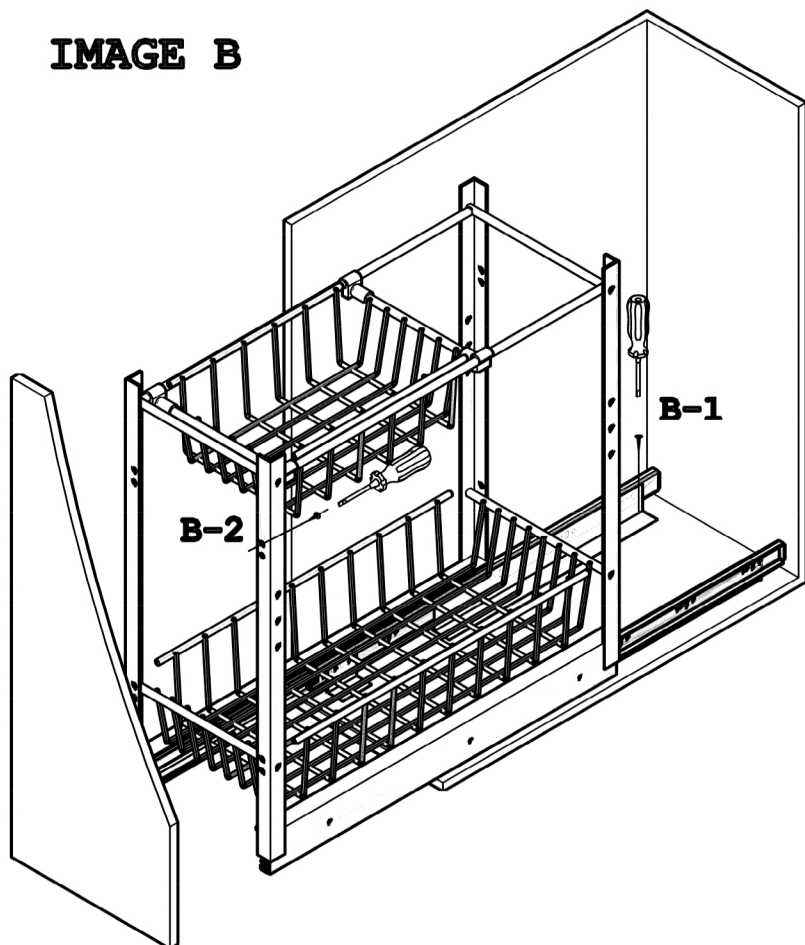


**IMAGE A**



1- Assemble big basket to U frame with bolts. Fix top metal bars to U frame. Place small basket with plastic part on the top metal frame (IMAGE A).

**IMAGE B**



2- You should arrange 0 distance from the front of the cabinet for mechanism (IMAGE B).

3- Pull out the mechanism and screw to bottom L shaped flatwires (IMAGE B-1).

4- Connect the cabinet door to mechanism with chipboard screw. After that assemble the bread holder. Check the mechanism.

ITEMS PART		
NO	PART NAME	PCS.
1	FRAME OF MECHANISM	2
2	FULL BASKET	1
3	HALF BASKET	1
4	BREAD HOLDER	1
5	YSB SCREW M5x10	8
STOCK CODE: SMA10		IMAGE NO: RSM160

